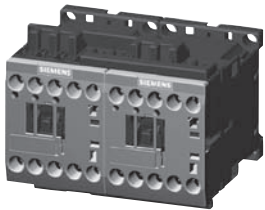


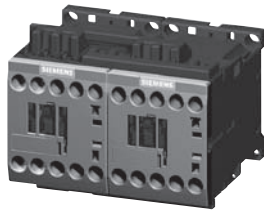
Contactor Assemblies for Switching Motors

3RA23 reversing contactor assemblies

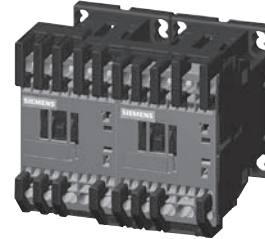
Fully wired and tested contactor assemblies²⁾ · Size S00 · Up to 10 HP



3RA23 18-8XE30-1BB4



3RA23 1.-8XB30-1A..



3RA23 1.-8XB30-2A..

AC data		UL data					Rated control supply voltage U_s at 50/60 Hz		Auxiliary contacts		Screw terminals		Weight approx.
Amp ratings	Single-phase HP ratings	Three-phase HP ratings		460 V	575 V	NO	NC	Spring-type terminals	Order No.				
AC2/AC3	115 V 230 V	200 V	230 V	460 V	575 V							kg	
AC operation, 50/60 Hz													
<i>Size S00¹⁾</i>													
7	1/4	3/4	1 1/2	2	3	5	24 AC	0	2	3RA23 15-8XB30-□AB0		0.46/0.50	
7	1/4	3/4	1 1/2	2	3	5	110/120 AC	0	2	3RA23 15-8XB30-□AK6		0.46/0.50	
7	1/4	3/4	1 1/2	2	3	5	220/240 AC	0	2	3RA23 15-8XB30-□AP6		0.46/0.50	
9	1/3	1	2	3	5	7 1/2	24 AC	0	2	3RA23 16-8XB30-□AB0		0.46/0.50	
9	1/3	1	2	3	5	7 1/2	110/120 AC	0	2	3RA23 16-8XB30-□AK6		0.46/0.50	
9	1/3	1	2	3	5	7 1/2	220/240 AC	0	2	3RA23 16-8XB30-□AP6		0.46/0.50	
12	1/2	2	3	3	7 1/2	10	24 AC	0	2	3RA23 17-8XB30-□AB0		0.46/0.50	
12	1/2	2	3	3	7 1/2	10	110/120 AC	0	2	3RA23 17-8XB30-□AK6		0.46/0.50	
12	1/2	2	3	3	7 1/2	10	220/240 AC	0	2	3RA23 17-8XB30-□AP6		0.46/0.50	
16	1	2	3	5	10	10	24 AC	0	2	3RA23 18-8XB30-□AB0		0.46/0.50	
16	1	2	3	5	10	10	110/120 AC	0	2	3RA23 18-8XB30-□AK6		0.46/0.50	
16	1	2	3	5	10	10	220/240 AC	0	2	3RA23 18-8XB30-□AP6		0.46/0.50	
DC operation													
7	1/4	3/4	1 1/2	2	3	5	24 DC	0	2	3RA23 15-8XB30-□BB4		0.58/0.62	
9	1/3	1	2	3	5	7 1/2	24 DC	0	2	3RA23 16-8XB30-□BB4		0.58/0.62	
12	1/2	2	3	3	7 1/2	10	24 DC	0	2	3RA23 17-8XB30-□BB4		0.58/0.62	
16	1	2	3	5	10	10	24 DC	0	2	3RA23 18-8XB30-□BB4		0.58/0.62	
With communication interface³⁾													
7	1/4	3/4	1 1/2	2	3	5	24 DC	0	2	3RA23 15-8XE30-□BB4		0.58/0.62	
9	1/3	1	2	3	5	7 1/2	24 DC	0	2	3RA23 16-8XE30-□BB4		0.58/0.62	
12	1/2	2	3	3	7 1/2	10	24 DC	0	2	3RA23 17-8XE30-□BB4		0.58/0.62	
16	1	2	3	5	10	10	24 DC	0	2	3RA23 18-8XE30-□BB4		0.58/0.62	

1 Screw terminals
2 Spring-loaded terminals

For other voltages see page 2/49

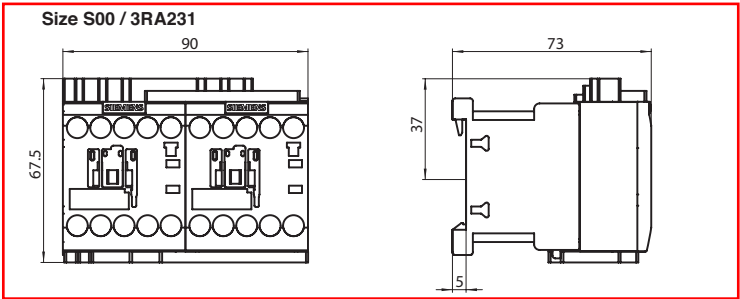
For accessories and spare parts, see page 2/66-2/83.

- 1) For coil operating range, see page 2/49.
- 2) The contactors integrated in the contactor assemblies have no unassigned auxiliary contacts.
- 3) For use with 3RA27 and 3RA28 communication modules. See pages 2/24 to 2/31.

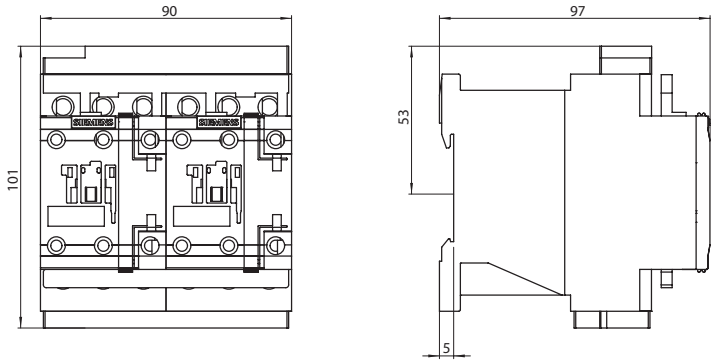
3RA23 contactor assemblies for reversing

Dimension drawings

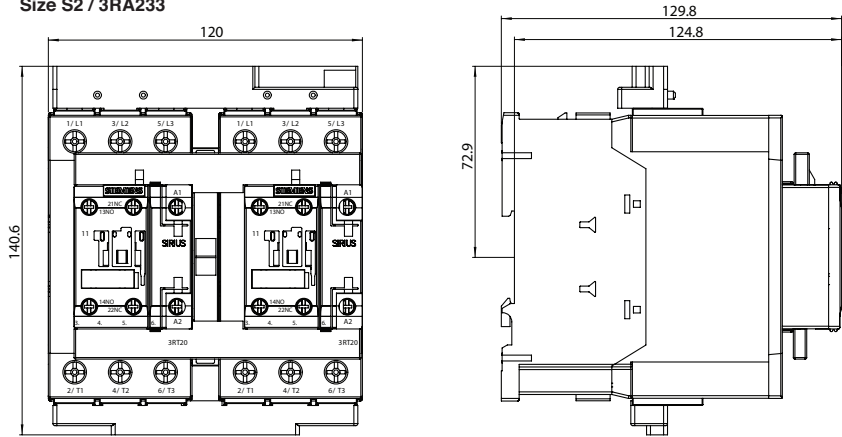
Size S00 / 3RA231



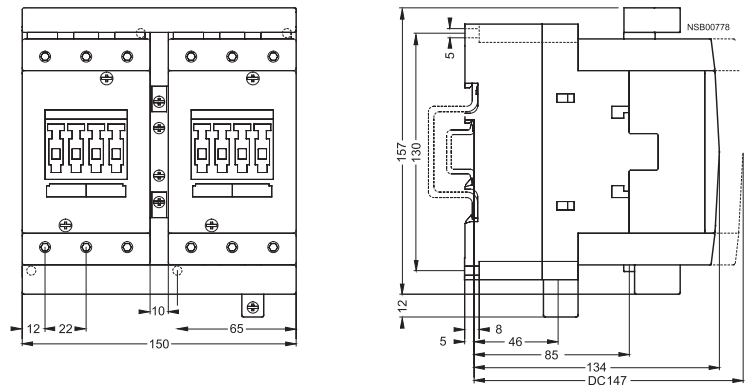
Size S0 / 3RA232



Size S2 / 3RA233



Size S3 / 3RA234



For specific dimensions, 2D / 3D CAD files and technical data, please visit www.siemens.com/cax